

OAK  
STOVES



## The Zeta 5 Window Series

*ZETA5CW, ZETA5PW, ZETA5LW*

# Manual

Operation & Installation

# IMPORTANT

## READ BEFORE USE

We use Stove Bright® High Temperature Paint on all of our stoves and it is important that the paint is cured properly during the first burn of the stove. This is done to ensure the paint finish will be able to withstand the high temperatures needed. Curing is done by following the instructions below. If this process is not done properly during the first burn of your stove, you may experience issues with the paint peeling over time, especially when the stove is operated at a high heat.

### **Set / Cure the paint**

For wood burning, follow these guidelines:

1. Build a small kindling fire to start. The kindling fire should be kept burning for 10 to 15 minutes.
2. Add fuel to build a medium size fire to bring the stove surface temperature to about 450°F.
3. The medium size fire should be kept burning for about 60 minutes.
4. For the final stage of curing, add fuel to this fire to make it a very hot fire (surface temperature above 600°F) and keep it at this level for about 60 minutes.

Once this initial process has been completed, the paint will be properly cured and you can operate your stove normally according to the instructions provided in this manual. If any peeling of the paint occurs on your stove this will only be as a result of improper curing or misuse of the stove such as over fuelling or running the stove too hot. Therefore any peeling is not covered by your warranty.

**NOTE:** During the final higher temperature burn phase there may be some visible smoke near the stove surface. There may also be an unpleasant odour. To mitigate this effect, ventilate the room with open windows and doors to provide airflow.

**HEALTH WARNING:** The smoke from the curing process displaces oxygen. Small children, the elderly and persons with existing breathing problems should vacate the area during the hot burn to avoid the discomfort of lost oxygen. The smoke is primarily Carbon Dioxide, and therefore non-toxic but uncomfortable.

### **Trouble Shooting: Paint Curing**

Take care to build slowly to the medium temperature fire. Building a hot fire immediately will “shock” the paint and cause it to release from the surface. The only remedy to this problem is to remove the paint, prepare the surface for repainting, and repaint. To avoid problems during the curing process, do not touch the surface with anything until the paint is fully cured.

# Introduction

Thank you for purchasing an Oak Stove, we know that our stove will provide your home with many years of heat and good service. We assure you that you have purchased a quality product that has been built to last, designed and manufactured in the UK with an Eco-Cleanburn system to ensure a clean and efficient performance.

Please read the operation and installation guide carefully before commencing the installation and remember to keep this manual safe for future reference.

## Contents

EC Declaration Of Conformity	4
Technical Information	5
<b>Operating Instructions</b>	
Recommended Fuels	6
Setting The Air Control Management	7
Lighting The Stove	8
Operating The Stove With The Door Open	9
Controlling The Stove	9
Refuelling	9
Cleaning & Maintenance	10
Ash Clearance	10
Throat, Baffle Plate & Flueway Cleaning	10
Chimney Sweeping	11
Combustion Air Supply	11
Seasonal Use	11
Troubleshooting	12
Placement & Fixing Advice	13
<b>Installation Instructions</b>	
Health & Safety Precautions	15
Chimney	15
Hearth & Fire Surround	15
Flue Connection	16
Connecting The Flue	16
On Delivery Of The Stove	16
After Installation	16
Zeta 5W Dimensions	17
Zeta 5W Parts List	18
Maintenance	19
Warranty & Guarantee	20
DEFRA Requirements	22

### NOTE:

**Ensure you report the installation of your stove to your local authority.**

The owner of the property is personally responsible for ensuring compliance with all mandatory safety requirements and that the installation is carried out by an approved and qualified installer.

### WARNING!

**The appliance will become very hot.**



During operation, the entire stove unit becomes very hot and will cause burn injuries if touched. Heat is also radiated from the stove, especially the glass, and high temperatures will be emitted. Always take care when near the fire and that there are no flammable materials closer than the recommended distance specified.



# EC Declaration Of Conformity



## MANUFACTURER

**Name** Oak Stoves  
**Address** Unit 11, Village Farm Industrial Estate  
 Village Farm Road, Pyle  
 West Glamorgan, CF33 6BL  
**Telephone** +44 (0)845 644 2815  
**Place Of Manufacture** West Glamorgan, South Wales, United Kingdom

## PRODUCT

**Product Type** Multi-Fuel Stoves fired by solid fuel  
**Series** Zeta 5W Series (Log Store, Pedestal & Compact)  
**Materials Used In Construction** Plate Steel, Vermiculite Board, Ceramic Glass, Fire Rope.  
**Model Numbers**

MODEL	ZETA5LW	ZETA5PW	ZETA5CW
NAME	Zeta 5 Log Store	Zeta 5 Pedestal	Zeta 5 Compact
CE Ref. No.	ZETA5LW	ZETA5PW	ZETA5CW

### IMPORTANT

The CE plate can either be found on the underside of the door or log store.

**Standard** EN 13240 : 2001  
**Intended for use** Heating of living accommodation  
**Fuels** Wood logs & solid mineral fuel  
**Special conditions** None  
**Date of issue** 02/01/2018 - Version 2.8

	WOOD	SOLID MINERAL FUEL
<b>NOMINAL OUTPUT</b>	4.9kW	4.1kW
<b>ENERGY EFFICIENCY (NET)</b>	76.7%	77.7% (Ancit)
<b>CO EMISSION AT 13% OXYGEN</b>	0.47%	0.21%
<b>CLEARANCE TO COMBUSTIBLE MATERIAL (MINIMUM)</b>	75mm - REAR 500mm - SIDE	75mm - REAR 500mm - SIDE
<b>AVERAGE FLUE GAS TEMPERATURE</b>	231°C	174°C

RECOMMENDED FUELS
WOOD LESS THAN 20% MOISTURE BRIQUETTED CLOSED FIRE FUEL
THIS APPLIANCE IS CAPABLE OF INTERMITTENT OPERATION AND SHOULD ONLY BE USED IN ACCORDANCE WITH THE USER'S INSTRUCTIONS, BURNING ONLY RECOMMENDED FUELS.
THIS APPLIANCE IS NOT FOR USE ON A SHARED FLUE

### Manufacturer's Declaration

The stove has been type tested by BSRIA Ltd. and fulfils the applicable rules for EN-13240:2001 & CE marking. Manufacture of the product has taken place in accordance with those specifications. This forms the relevant type approval certification and the required manufacturing processes and checks.

Richard Heatherill  
 Technical Director (Europe) - Oak Stoves

# Technical Information

All local regulations, including those referring to national and European Standards need to be complied with when installing the appliance.

This manual is for the following models in the Zeta series:

MODEL	ZETA5LW	ZETA5PW	ZETA5CW
NAME	Zeta 5W Log Store	Zeta 5W Pedestal	Zeta 5W Compact
RANGE	4-6kW	4-6kW	4-6kW
EFFICIENCY	77.7%	77.7%	77.7%
MASS	140kg	130kg	130kg
THE MINIMUM FLUE DRAUGHT FOR NOMINAL HEAT OUTPUT*	12pa (Pascals)	12pa (Pascals)	12pa (Pascals)

*\*where applicable, with open and closed firedoors.*

RECOMMENDED FUELS	
WOOD LESS THAN 20% MOISTURE BRIQUETTED CLOSED FIRE FUEL	
THIS APPLIANCE IS CAPABLE OF INTERMITTENT OPERATION AND SHOULD ONLY BE USED IN ACCORDANCE WITH THE USER'S INSTRUCTIONS, BURNING ONLY RECOMMENDED FUELS.	
THIS APPLIANCE IS NOT FOR USE ON A SHARED FLUE	
PLEASE COMPLETE ALL THE DETAILS BELOW AS THIS COULD AFFECT YOUR WARRANTY	
SERIAL NUMBER	DATE OF INSTALLATION
HETAS INSTALLER REGISTRATION NUMBER	INSTALLER NAME
INSTALLER ADDRESS	

## Important To Remember

### Installation By Authorised Technician

This manual contains instructions on how the stoves must be assembled, maintained and installed. To ensure the function and safety of the stove, we recommend that the installation must be carried out by an authorised technician. Contact one of our dealers to find a suitable fitter.

### Structural Support

Check that the wood joists are strong enough to bear the weight of the stove and chimney. The stove and chimney can usually be placed on a normal wooden joist in a single occupancy house, if the total weight does not exceed 400kg.

### Building Permission

Before installing a stove or erecting a chimney, it is necessary for you to make an application for building permission to your local authority. Ask your local authority for advice regarding building regulations and the application.

### Hearth Plate

Due to the risk of embers falling out, a flammable floor must be protected by a hearth plate. It must extend 300mm in front of the stove and 300mm on each side of the stove, or have a 200mm extension on each side of the opening. The hearth plate can consist of natural stone, concrete, metal plate or glass.

# Operating Instructions

**NOTE: All multi-fuelled stoves must be installed by an approved installer, and all necessary checks described in the Installation Instructions need to be carried out. Only use the recommended fuels detailed below.**

## Recommended Fuels

The Zeta stoves are Multi-Fuel appliances, meaning they can burn a number of different fuels, however you must ensure that you follow the instructions specific to your chosen type of fuel and that your chimney is suitable for all the types of fuel you will use.

### Wood

The wood you use to burn in this stove should only be dry and well seasoned. To prepare the wood for burning ensure it is cut, split and then left to season in a dry, well ventilated area for at least one year before burning. The ideal types of wood for this stove are hard woods such as Ash, Beech or Oak. We recommend that all wood has a moisture content of less than 20%.

The firebox should have a bed of ash at the base for the wood to be placed on. The use of unseasoned wood in this appliance can result in heavy tar deposits in the stove, on the glass and within the chimney. Also unseasoned wood will produce lower outputs from the fire.

### Peat

Cut peat must be dried before using in the stove in order to reduce the amount of tar deposits produced. You should burn Peat in the same way as wood fuel, on a bed of ash at the base of the stove.

### Smokeless Fuel (Solid Mineral Fuels)

A variety of smokeless fuels may be used in this stove, however you must check the necessary precautions for each specific fuel to prevent damage. These fuels include:

- Ancit
- Anthracite Large Nuts
- Centurion
- Extracite
- Homefire
- Maxibrite
- Phurnacite

Only smokeless fuels may be burnt in smoke control areas. Petroleum Coke and House Coal is not suitable for use on this appliance, it's use will void your warranty.

There are a few additional points to consider when lighting smokeless fuel fires, please refer to the 'Burning solid mineral fuels' section on the next page. Also when burning smokeless fuels, the upper baffle vermiculite board (throat plate fireboard) must be removed. Please refer to page 19 for instructions on how to do this.

# Setting The Air Control Management

*The following is a recommendation only for maximum efficiency.*

When burning wood only or solid mineral fuels (smokeless fuels) the following settings are recommendations only as it is all dependent on the moisture content of the material to be burnt.

So if the moisture content is above 16 to 20% which is the recommended level in any of these products you may well need to make adjustments to get the optimum burn efficiency out of this stove. So the following is a guide only to the position of the primary secondary and tertiary air controls.

Please note that wood burns from the top of the fire box down so more control is gained from the secondary and tertiary slider control bar. This slider operates the clean glass air wash system which assists in helping to prevent the glass blackening up. It also operates the Eco-Cleanburn at the rear of the fire box which helps to insure that all of the gases given off from the wood and solid mineral fuels are fully burnt prior to being exhausted up the chimney, therefore giving maximum heat output and efficiency to the stove.

As you open and close the left hand slider (Fig. 2) for the clean glass air wash (secondary) and the Eco-Cleanburn (tertiary) there is a balancing valve (which you never need to touch) fitted into the rear of the stove that automatically manages the volume of air being fed to each of the outlet air controls so the optimum airflow is delivered to the clean glass air wash down the front of the glass and the Eco-Cleanburn afterburn at the rear of the fire box.

However, solid mineral fuels burn from the bottom up so you require air flow from the right hand slider (Fig. 1) and less from the secondary and tertiary control.

Please refer to the table below as a guide only to the position of the 2 air controllers. Also note the required riddle grate position for each type of fuel. To change the riddle grate position insert handle (see Fig. 4), then push backwards to close the grate or pull forward to open the grate.

## **Burning wood only - (Rotating riddle should be in the closed position)**

	Position of air management controls	Lighting the stove	Once alight & burning well	To shut the stove off
1	Primary slider (right)	Fully open	Push slider in to approx 30% open	Close completely
2	Secondary slider (left)	Pull slider out 75% towards you	Push slider in to approx 50% open	Push in fully to close

## **Burning solid mineral fuels - (Rotating riddle should be in the open position)**

	Position of air management controls	Lighting the stove	Once alight & burning well	To shut the stove off
1	Primary slider (right)	Fully open	Push slider in to approx 75% open	Close completely
2	Secondary slider (left)	Pull slider out 75% towards you	Push slider in between 50% - 25%	Push in fully to close

# Lighting The Stove

When lighting the stove for the first time your appliance may give off an odour, this is caused by the paint inside the stove reacting to the heat. This is completely normal and will cease after a short time, however the room should be kept well ventilated while this is still occurring.

The stove door handle is located on the right hand side of the door, pull the handle out to open the door and insert your fuel (*Ensure riddle grate is in the appropriate position for your fuel*). When closing the door be careful not to slam it shut to avoid damage to the closing mechanism or glass, also when opening the door be careful of any pieces of fuel or embers that may be resting on the door. To begin you should only light a small fire and allow it to burn slowly for at least two hours. This initial fire will evaporate any residual moisture contained within the vermiculite bricks, allowing you to use the fire as normal from then onwards.

When burning wood or peat ensure that there is a layer of ash at the base of the firebox to prevent overheating and damage to the base. If there is no ash available when you first light the stove, you can add a layer of sand approximately 13mm (1/2 inch) thick to the base instead.

## Lighting the stove

To start the fire you can use dry kindling wood with either paper or fire lighters. Place the paper or fire lighters along with the kindling on the base of the firebox and cover with approximately 50mm of fuel. Light the paper or fire lighters to start the fire, then ensure the right hand primary air slider is open (See Fig. 1) on the stove before closing the door, pull the Air Wash control towards you to open the rear Air Wash vent (see Fig. 2b). Allow the fire to be fully ignited before adjusting the air vents to the preferred position, as detailed on page 7. Once fully lit, you can partially close the primary slider.

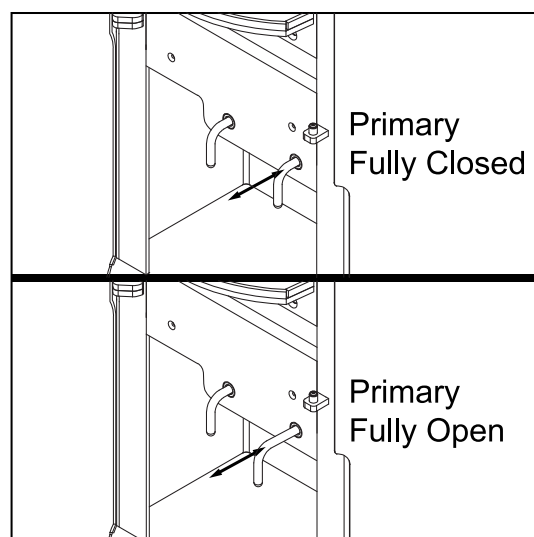


Fig. 1



**Always take care when touching any part of the stove to prevent burning yourself and we always advise using an appropriate glove when adjusting the air vent, opening/closing the fire door and when refuelling. Please note that the stove can remain hot for long periods after the fire has been extinguished.**

When relighting the stove leave the ash from previous fires on the base of the firebox, however some may be removed if the build up starts to block the front grill. You should always ensure there is enough ash at the bottom of the firebox to protect the stove's base before lighting a fire.

## Burning smokeless fuels

When loading the fire with smokeless fuels it is advised not to put all the required fuel in at once, load in two stages to ensure that the fire will not be smothered and wait between each stage for the flames to grow before adding the remaining fuel. Certain fuels may produce more soot deposits than others, therefore it is essential for you to regularly clean the throat plates to avoid build up. When relighting a smokeless fuel fire ensure you have cleared the grate and emptied the ashpan before starting a new fire.



# Operating The Stove With The Door Open

This stove should not be operated with the door open, we do not recommend this. This stove is designed to be operated with the door closed as this gives improved efficiency and air flows. Certain fuels such as wood and peat will burn better this way but it is vitally important that you **do not leave the fire unattended with the door open at any time**. Always keep the door closed and the handle in the locked position.

## Controlling The Stove

The right hand primary slider and the secondary and tertiary slider bar below the door (see Fig. 2) control the rate of burning and in turn the heat output. The clean air wash is known as the secondary air control and the Eco-Cleanburn is known as the tertiary. These are fully controlled by the left slider bar. The primary air control slider should only be left fully open when lighting or when rapid burning is needed. If the slider is left open for long periods then over-firing may occur. Once lit we recommend the primary slider be left slightly open, and adjust accordingly to control the fire.

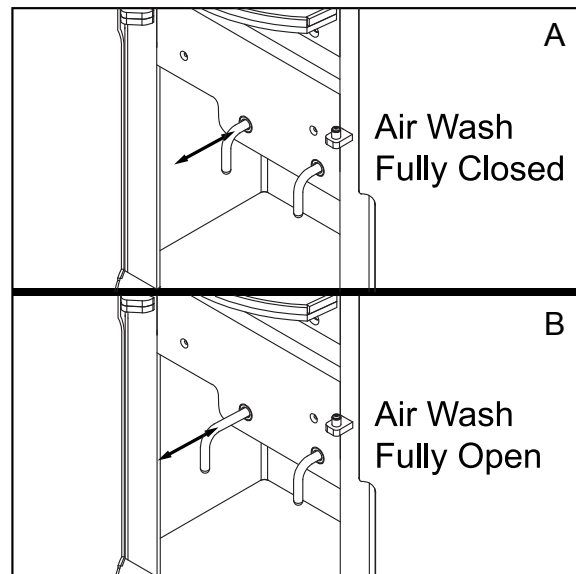


Fig. 2

The door handle, two control bars (air wash and primary) and riddle bar will heat up when the fire is lit and running. But when you need to touch them to adjust or reload the fire you must wear gloves. **Therefore to avoid injury please wear appropriate hand protection when touching any part of the stove** as the body, the glass and the primary air knob can get very hot.



## Refuelling

Keep the firebox well filled to maintain the fire but for safety reasons it is important not to overfill the stove, your fuel must not be spilling over the top of the front grill or touching the door or glass panel. Doing this could cause the fire to spill out when opening the door. Overfilling can also cause the glass to black up. Do not fill past the fill line, which is 50mm below the tertiary holes as this may restrict airflow to the Eco-Cleanburn bar. (see Fig. 3).

When adding fuel ensure that the appropriate protection is worn such as a heat resistant glove and tools such as fire poker, tong or shovel are used.

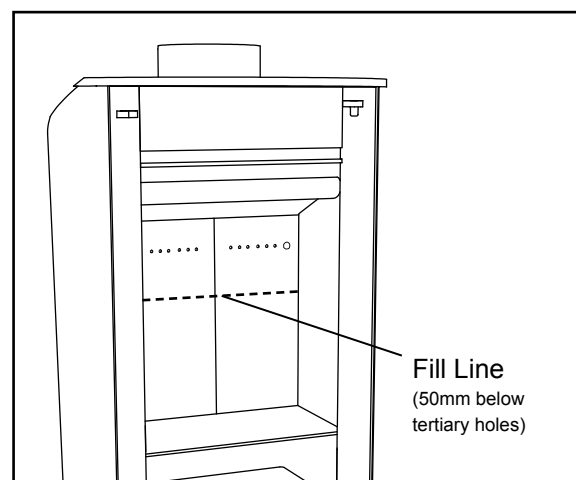


Fig. 3

## Cleaning & Maintenance

Our stoves are finished with high temperature resistant paint which can withstand the temperatures expected in normal use. You may clean the stove with a damp lint-free cloth, but ensure the stove is completely cold throughout before doing so.

To clean the glass on the door, again use a damp lint-free cloth to clean and ensuring that you wipe with a dry cloth afterwards. Do not use any chemicals to clean the glass, this will cause permanent damage to the glass. You may get deposits on the glass after the fire has run, most of these will burn off if you run the fire again at a fast rate for a few minutes. Do not use abrasive cloths on the glass or paintwork as these can cause scratching and permanent damage to the stove.

## Ash Clearance

With wood or peat fires you should allow some build up of ash at the base of the firebox, however it is necessary to remove some ash once the build up gets too much. This will only be needed when the build up starts to restrict the airflow by blocking the front grill. Burning smokeless fuels will require the ashpan to be emptied regularly, it is very important to do this as this ash must not be allowed to overflow over the grate.

This model has a Remote Riddle Plate Handle located under the left side of the door, pulling this bar will rotate the grills allowing excess ash to drop through to the ashpan below the firebox (see Fig. 4). **Be sure not to completely empty the base of ash.**

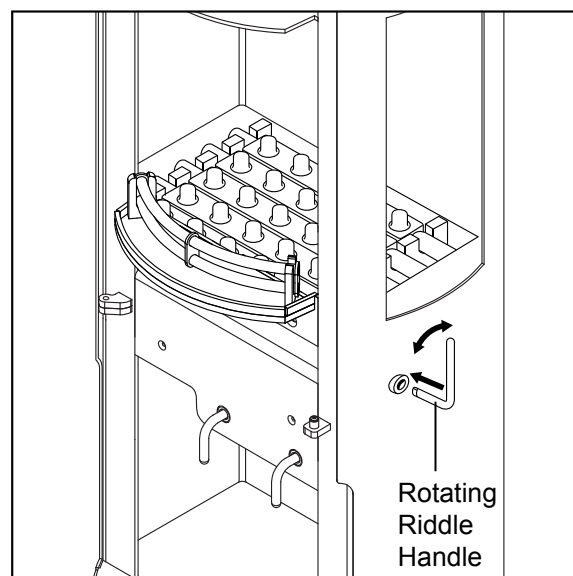


Fig. 4

It is very important that all ash is cool before attempting to remove it from either the base or the ashpan. We advise emptying the cold ash into a bin liner and sealing it before disposing.

## Throat, Baffle Plate & Flueway Cleaning

It is very important that the throat, baffle plates and the flueway are kept clean and obstruction free, failure to do so could result in dangerous emissions not escaping correctly. These fumes can pose a serious health risk to occupants therefore it is necessary to clean both the throat and baffle plates and the flueways at least weekly, or more frequently if needed.

To clean the throat and baffle plates, first remove the side bricks to enable you to easily remove the throat plate. To access the flueway, remove the two saddle clips to release the upper fibre board that covers the flueway. Any build up of soot should then be swept off the plate down onto the fire. Refit parts in reverse order when cleaning is finished, for more detail please refer to page 19.

## Chimney Sweeping

Your chimney should ideally be swept at least twice a year. Depending on your installation you may be able to sweep your chimney through your appliance, if not your installer would have inserted a soot door to access the chimney once the stove has been moved clear. When sweeping through your appliance you will first need to remove the throat plate, upper fibre board and front grill from the stove.

Your installer will advise on what tools you will need to sweep your chimney. After sweeping you must ensure that all flueways are clear and no soot deposits have collected to form a blockage particularly on any horizontal surfaces.

## Combustion Air Supply

In order for the stove to work efficiently and safely there needs to be an adequate supply of combustion air in the room where the stove is installed. This is necessary where the room is double glazed or where a flue draught stabiliser is operating in the room where the stove has been installed. Provision of air to the stove must be in accordance with current Building Regulations Approved Document J. An open window is not appropriate. Any air inlets must be positioned in such a way as they cannot be blocked.

## Seasonal Use

If the stove is not used for a long period of time (e.g. Summer) then it must be thoroughly cleaned with ash and unburned fuel being removed. It is important to leave air controls fully open when the stove is not being used, this will prevent build-up of condensation / corrosion. It is important that the flue connections, any baffles, throat plate and chimney are swept clean prior to lighting again.

### **Adverse Weather Conditions**

If, due to adverse weather conditions, your stove does not operate properly and smoke is emitted into the room, **DO NOT** treat this as a minor problem. Smoke indicates that Carbon Monoxide (CO) is entering the room. Should this happen, turn your stove controls to their minimum setting (still allowing the fire to burn) open windows to ventilate the room. **DO NOT** close the windows before the fire has burned out.

The smoke entering the room is probably due to a poor draught or a blocked flue. It is advisable to have the flue pressure checked. The minimum operating pressure for a flue is 12 Pascals.

# Troubleshooting

## Fire will not burn

Check that:

- the air inlets are obstruction free
- chimneys and flueways are clear.
- you are using a suitable fuel.
- an adequate air supply is entering the room.
- an extractor fan is not fitted in the same room as the stove.
- the chimney has a sufficient draw. A draught reading of at least 2.5mm water gauge should be seen (*once the chimney is warm*).

## Door glass blacks up

Because chimneys differ greatly the best draught settings will take a few trials to figure out, but the following tips should help:

- When re-fuelling place the fuel towards the back of the firebox, keeping it as possible from the front grill and avoid over filling.
- The primary air vent on the door may be kept slightly open to assist in keeping the glass clean or open up the secondary and tertiary slider bar further.
- Unseasoned wood will cause more deposits on the glass if the moisture level is more than 20%.

Bear in mind it tends to be more difficult to keep the glass panel clean if you're running the stove very slowly for a long period of time. If blackening of the glass still occurs ensure that all flue connections are well sealed with fire cement, as this can decay over a long period of time and may need resealing. Also the chimney draw needs to be sufficient and not affected by down-draught.

When certain smokeless fuels you may notice some blackening of the glass below the grill level, this is to be expected and shouldn't obscure your view of the fire or affect the performance of the stove.

## Fume emission

**IMPORTANT:** If this appliance is properly installed and operated it will not emit fumes. Occasional fumes when de-ashing or re-fuelling are to be expected, but fumes during normal use are NOT usual. Persistent fume emission can be very dangerous and should NOT be ignored. If you notice persistent fume emission you should immediately:

- Open all doors and windows in order to ventilate the room.
- Let the fire go out and safely dispose of the remaining fuel from the appliance.
- Check for any blockage to the flue or chimney and clean if required.
- DO NOT attempt to re-light the fire until the cause of the fumes has been identified and resolved. Seek professional advice if necessary.

The most likely cause of fume emission would be due to flue or chimney blockages. For your own safety it is vital that you regularly check and clean your flue and chimney.

## Fire blazing out of control

Check that:

- the door is tightly closed, the handle is locked and the seal is intact.
- the air vents are closed fully (*primary, secondary and tertiary*).
- a suitable and well prepared fuel is being used.

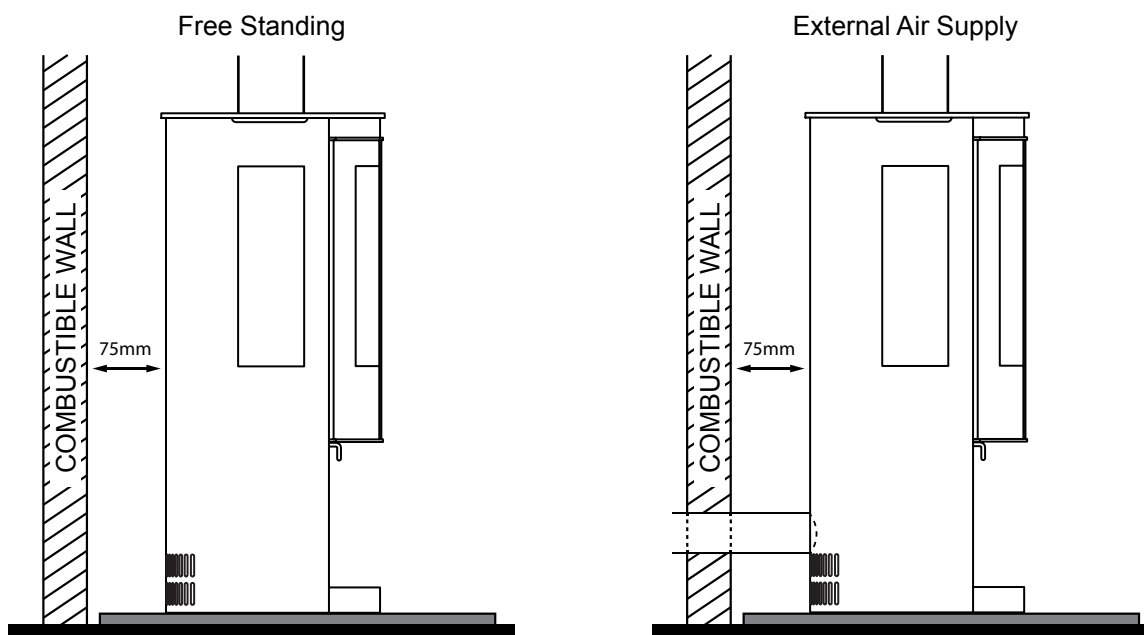
## Chimney fires

If your chimney is properly installed and regularly swept, chimney fires should not occur. However, if a chimney fire does occur the first step would be to ensure the door is tightly closed and the air vents are fully shut (*primary, secondary and tertiary*), doing this should cause the chimney fire to extinguish itself. After this you must keep the door and air vents closed until the stove's fire has gone out completely to prevent the chimney fire reigniting. Once this has happened and the stove has cooled you must then clean the chimney and flueways to prevent the chimney fire from reoccurring next time you light the stove.

If the chimney fire does not extinguish after closing all the vents and door then you must contact the fire brigade immediately, do not attempt to fight the fire yourself. After any chimney fire your chimney should be carefully examined for damage before you attempt to relight your stove, contact a professional for advice if necessary.

## Placement & Fixing Advice

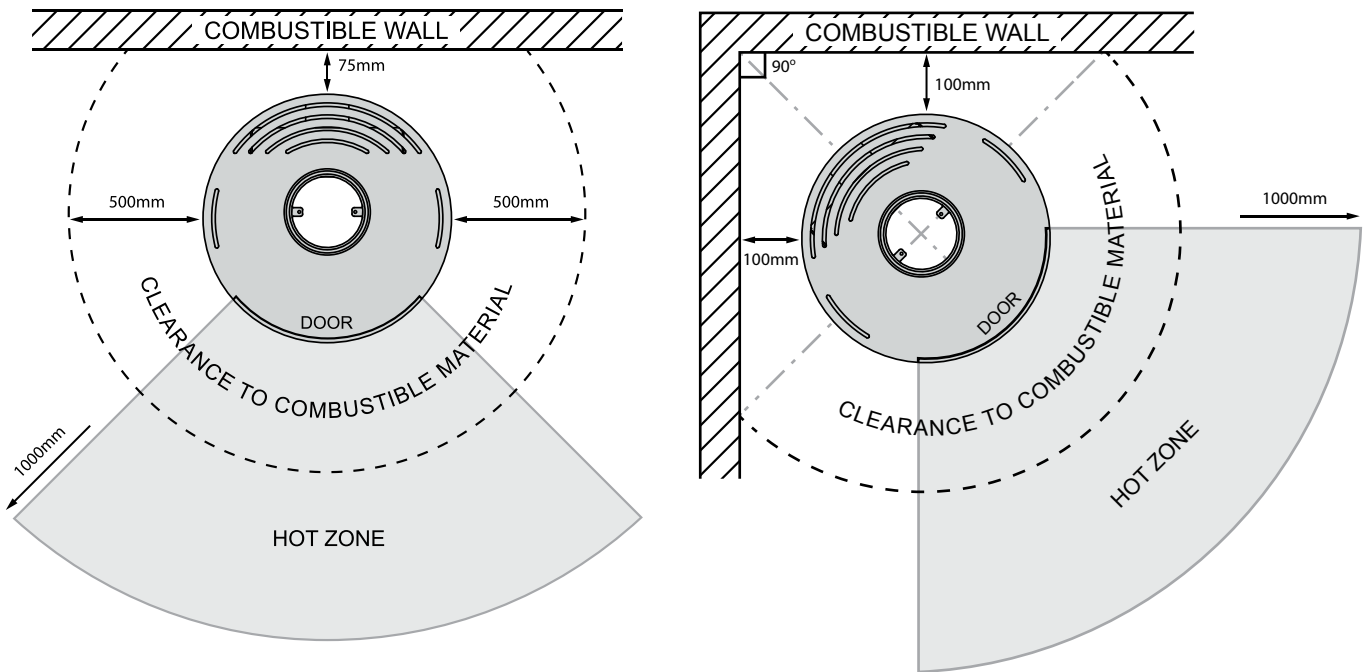
The placement of the stove is very important not only for safety reasons, but also to get the best performance out of your appliance. Connecting the rear air supply to an external source of cold air can improve the efficiency of your stove, but it is not essential to do this for the stove to perform normally. The below diagrams show examples of free standing and external air supply installations. For more information see the *Hearth & Fire Surround* section.



The minimum distance from the rear of the stove to a wall is 75mm, and 500mm to either side of the appliance. No combustible material should be within this area (see below, left).

There is however an exception made when the stove is placed in a corner, the closest point of the stove to both walls should be at least 100mm (see below, right). We also recommend at least 1000mm clearance around the stove to glass (excluding hearths).

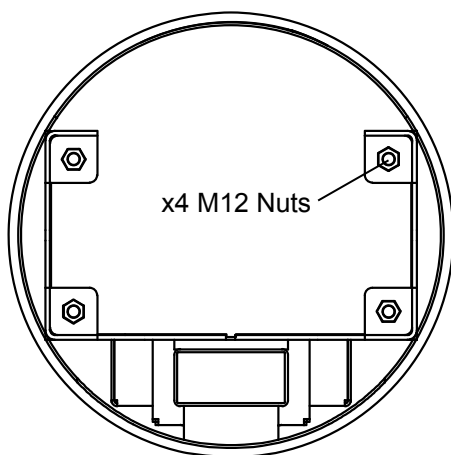
Please note the Hot Zone to the front of the stove extends 1000mm from the window and ends in line with each side of the door edge. This area can be 90°C, so we do not recommend any combustibles in this area.



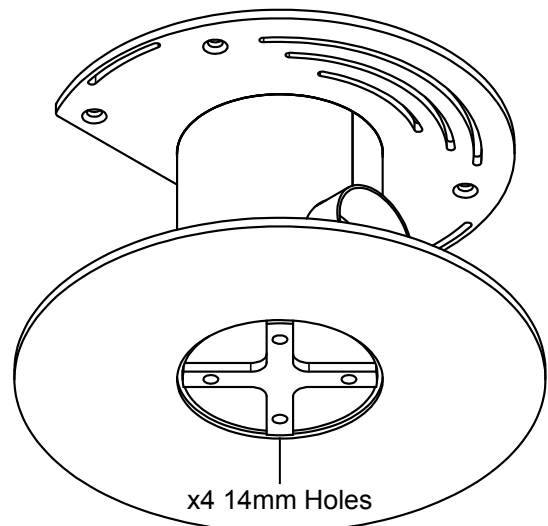
### Fixing Points

If you would like to fix the stove to the ground, you can do this using the fixing points shown below. For anchoring the Pedestal model to your hearth you will need x4 M12 bolts and x4 M12 nuts (not supplied). The Log Store model has M12 nuts built into the base, therefore you will only require x4 M12 bolts (not supplied) for this model.

Log Store Model



Pedestal Model



Views from underneath of the stoves

# Installation Instructions

## Health & Safety Precautions

Before you begin the installation process there are a number of things to consider:

- We recommend you avoid fitting the stove in the same room as an extractor fan. However, if this is unavoidable, seek specialist advice to ensure safe installation and operation of the stove.
- If work needs to be carried out that could potentially disturb any asbestos in your home then ensure appropriate protection is worn before commencing work.
- The room you are fitting the stove in needs to have an adequate air supply, especially if the room has double glazed windows. We recommend you check this with your local building control officer and adhere to the building regulations requirements for providing oxygen into the room (*your installer will confirm this with you*).
- The requirements of both the BS 8303 and BS EN 15287-1:2007+A1:2010 standards must be fulfilled.
- We recommend you only use a HETAS Approved Installer to carry out the stove installation. **See [hetas.co.uk](http://hetas.co.uk).**
- All local authority laws and building regulations must be adhered to before installation and the required permission to install must be obtained.
- Ensure you have a carbon monoxide and smoke alarm fitted in the same room as the appliance.



## Chimney

For the stove to perform correctly and safely your chimney height must not be less than 4 metres high, this height is taken from the outlet of the stove body to the very top of the chimney. The outlet on our stove is 5 inches in diameter, therefore your chimney must have a minimum width of 5 inches but preferably be 7-8 inches wide. Your chimney can be either square or circular, as long as it meets the minimum width specifications.

If installing a stove into an existing fireplace, it must be swept and inspected to ensure that it is in good condition and suitable for the type of stove you are installing. If any cracks, blockages or excessive cross sections are found then you should consult a professional regarding getting your chimney lined. The type of fuel you wish to burn needs to be considered before getting your chimney lined so that a suitable lining is used.

If there is an excessive draw with the chimney then we recommend a draught stabilizer be fitted. Alternatively if there is too little draw or down-draught then you must consult a professional before lighting your stove. You should have a minimum draw of 2.5mm water gauge.

## Hearth & Fire Surround

The stove must be installed on a flat fireproof hearth for stability and the area in front and around the fire must be clear of any combustible materials. The stove should not be flat

against a wall, we recommend a minimum clearance of 75mm to prevent restricting airflow.

Building regulations regarding these appliances govern that the hearth must extend at least 300mm out in front of the stove and 250mm to each side. For safety we recommend that you ensure there is a minimum of 300mm clearance around the entire appliance. This appliance needs a good amount of air circulation around it, however if you are installing the stove in a fireplace ensure that there is at least 250mm gap to each side and at least 300mm above the top of the stove in order to prevent overheating and allow for good heat output.

You may wish to connect the rear Air Wash vent up to an external supply of air, this can be done provided the connection is secure and doesn't prevent the Air Wash Control from opening and closing fully. A rear clearance of 75mm is still recommended in these circumstances. Also you will need to consider how close your mantelpiece or any other objects directly above the fireplace are, to prevent damage due to high temperatures.

## Flue Connection

The Zeta Series has a top output connection, the type of installation that is best for your home will depend on the chosen location for the stove. You must ensure that all building and health and safety regulations that apply to your chosen type of installation are conformed to before you begin to use the stove.

Your stove will normally be delivered assembled ready for connection.

## Connecting The Flue

The flue collar must be sealed with fire cement and all flue connections must be well sealed. Any horizontal sections of flue must not be longer than 150mm.

With most flue connections your installer should fit a soot door in your chimney to allow access to sweep it, alternatively this chimney can be swept through the stove (*see Chimney Sweeping section*).

## On Delivery Of The Stove

Please ensure that the vermiculite bricks, throat plate and baffle plate have not moved in transit (*see page 19*) and that the glass window is intact. Also check that you have all the required parts (*see back page*) before installation.

## After Installation

Upon completion of the installation you should allow time for the fire cement and mortar to dry out and set properly. Once dry you may begin preparing the fire for its first fire. Ensure that the throat plate, baffle plate and front grill are in place and that the door and vents close properly before lighting.

When you're ready to start the fire, follow the instructions detailed in the Lighting section relevant to your type of fuel. Once alight, check that the fumes and smoke are being drawn up through the chimney correctly and that all joints and seals are not emitting fumes.

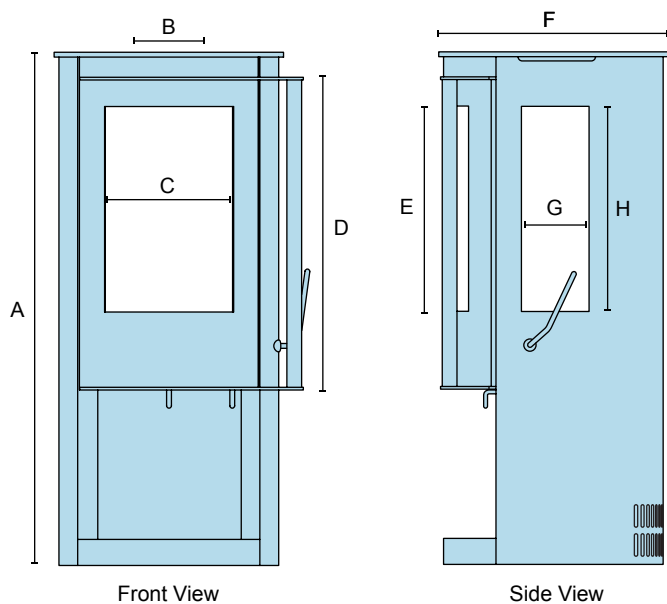
Your installer should advise on the operation and maintenance of your stove and chimney and retain this manual for future reference.



# Zeta 5W Dimensions

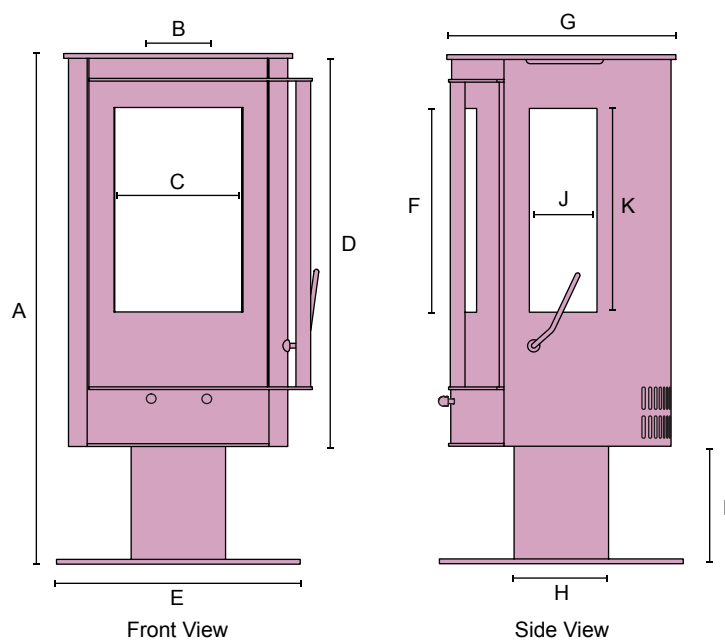
All dimensions shown are in mm

## The Zeta Log Store



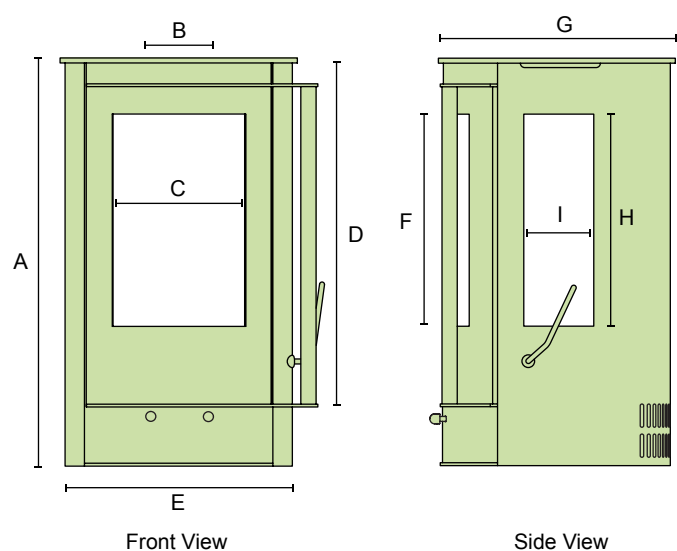
5kW	
Model	ZETA5LW
A	1050mm
B	125mm
C	300mm
D	675mm
E	420mm
F	470mm
G	150mm
H	420mm

## The Zeta Pedestal



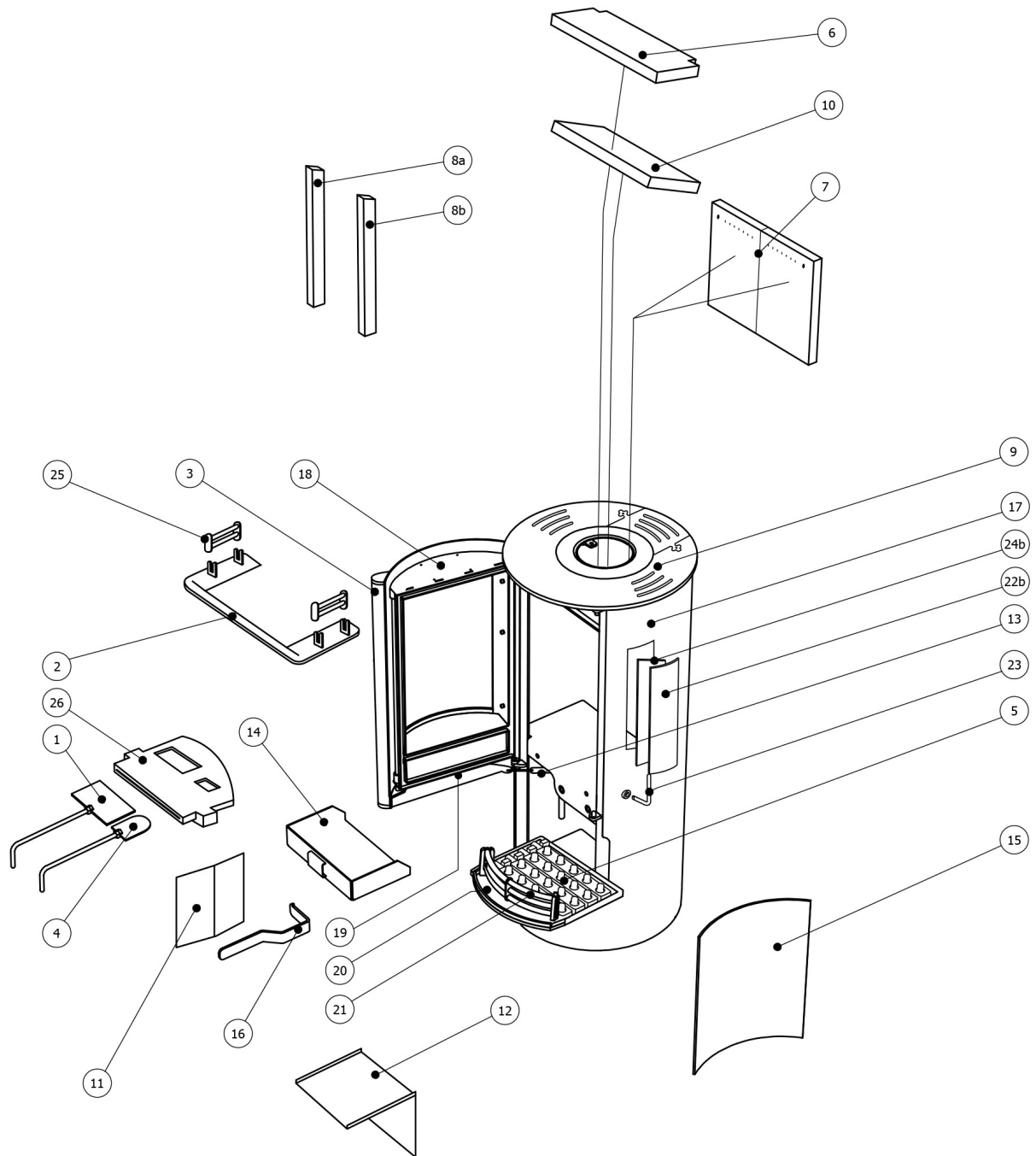
5kW	
Model	ZETA5PW
A	1050mm
B	125mm
C	300mm
D	800mm
E	500mm
F	420mm
G	470mm
H	195mm
I	240mm
J	150mm
K	420mm

## The Zeta Compact



5kW	
Model	ZETA5CW
A	850mm
B	125mm
C	300mm
D	675mm
E	460mm
F	420mm
G	470mm
H	420mm
I	150mm

# Zeta Parts List



Item	Qty	Part No.	Description	Warranty
1	1	Z501	Secondary Slider	Y
2	1	Z502	Grate Support	Y
3	1	Z503	Door Handle	Y
4	1	Z504	Primary Slider	Y
5	1	Z505	Rotating Riddle Plate	N
6	1	Z506	Throat Plate Fireboard	N
7	1	Z507	Rear Fireboard (2 parts)	N
8a	1	Z508a	Left Side Fireboard	N
8b	1	Z508b	Right Side Fireboard	N
9	1	Z509	Top Plate (3 parts)	N
10	1	Z510	Baffle Deflector Fireboard	N
11	1	Z511	Side Panel	Y
12	1	Z512	Regulator Cover Plate	Y
13	1	Z513	Pneumatic Door Closer	N
14	1	Z514	Ash Pan	N

Item	Qty	Part No.	Description	Warranty
15	1	Z515	Zeta 5 Curved Glass	N
16	1	Z516	Ash Pan Handle	N
17	1	Z517	Stove Body	Y
18	1	Z518	Stove Door	Y
19	1	Z519	CE Plate	Y
20	1	Z520	Grate Shelf	N
21	1	Z521	Fire Grate Retainer Bars	N
22a	1	Z522a	Left Outer Side Window	N
22b	1	Z522b	Right Outer Side Window	N
23	1	Z523	Rotating Riddle Handle	N
24a	1	Z524a	Left Flat Inner Side Window	N
24b	1	Z524b	Right Flat Inner Side Window	N
25	2	Z525	Side Grate Retainer Bars	N
26	1	Z526	Air Inlet Assembly	N

# Maintenance

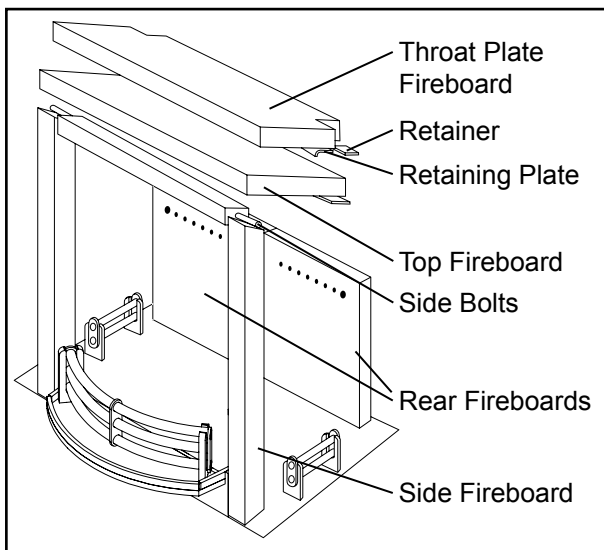


Fig. 6

## Fire Brick Removal

1. Remove the two screws holding the rear boards in place, the two rear fireboards can be removed by pulling out from the middle.
2. Remove both Side Bolts from inside the firebox to free the top of the Side Fireboards, remove these carefully as they are very fragile.
3. Lift the Top Fireboard up to slide it off its retainers and remove.
4. Remove the Retaining Plate by pulling towards you to get it off the retainers each side. You can now slide the Throat Plate Fireboard backwards, then forward to allow it to drop out.
5. Firebox is now ready to clean.

**NOTE:** All screws removed at this time must be renewed.

## Fire Brick Assembly

1. Place Throat Plate Fireboard against the roof of the firebox and slide forward over the location pins then fix in position by slotting the Retaining Plate under it with the lip facing down.
2. Place Top Fireboard in position on its retainers.
3. Put the two Rear Fireboards back into position before refitting the screws.
4. Lastly reposition the Side Fireboards one at a time using the Side Bolts to keep them in place.

### Recommended Periodic Checks

Check The Following	If Fault Found	Recommended Frequency For Checks
Chimney is swept	Arrange a sweep	Every 6 months
Check the glass is not cracked	Replace	Before every use
Check fire bricks have not deteriorated	Replace	Weekly
Check baffle plate and throat plate are clean and clear	Unblock / Clean	Weekly
Check none of the door seal fire ropes have worn excessively	Replace	Weekly
Check the riddle grate is not blocked	Unblock	Weekly
Check flue pipe for blockages	Unblock	Monthly
Check all chimney / flue joint seal cement hasn't deteriorated or is leaking	Reseal	Monthly

If you discover any issues or require replacement parts, please call your retailer / installer.

# Warranty & Guarantee

## **Multi-Fuel – 10 Year Extended Warranty**

It's important to know what requirements need to be met in order to qualify for our extended 10 year warranty, as well as being aware of exactly what it covers. This warranty only applies to Multi-fuel stoves.

If you have purchased your stove from an authorised stockist within our Premium Retailer Network, then automatically your product will carry a standard 2 year warranty. The 2 year warranty can be further extended to a total warranty period of 10 years by registering your Oak Stove within 60 days of the purchase date or installation date which ever is shortest. Accordingly, the start date for the warranty period is the date of purchase. During the registration process, the Premium Retailer details will be required for your Extended Warranty to be activated. Any product purchased outside of our Premium Retailer Network will carry a standard 12 month, non-extendable warranty.

Once you have purchased your Oak Stoves you can only register your purchase online. It is a condition of the Extended Warranty that the installation complies with relevant Building Regulations and the rules in force, and is carried out by a suitably trained and qualified individual HETAS registered in the United Kingdom (or equivalent in other countries) with a certificate of installation and the appropriate commissioning report completed and retained by the end-user.

It is also a condition of the Extended Warranty that your Oak Stoves is regularly serviced (every 12 months) by a suitably trained and qualified individual (HETAS registered) in the United Kingdom (or equivalent in other countries). Records and receipts of annual services will be required in the event of a warranty claim during the period of the extended warranty.

This warranty is not transferable and is extended only to, and solely for, the benefit of the original purchaser of the stove. Please retain your dated sales receipt as a proof of purchase.

During your extended warranty period, only genuine Oak spare parts must be used in the servicing and maintenance of your stove, these spare parts can be ordered via the Premium Retailer directly.

Consumable items such as glass, paint, grate parts, log retainers, baffles, ash pans, internal fire brick linings, and rope seals which are either subject to normal wear and tear or parts that require replacement in connection with normal maintenance are not covered, either by the original or the Extended Warranty.

Should you experience problems with your stove, any claim must be submitted first to the Premium Retailer from where the stove was purchased. Your Premium Retailer will either be able to offer immediate assistance or make contact with Oak Stoves on your behalf.

## **Warranty Exclusions and Limitations**

No Warranty is extended to consumable service parts. Repair or replacement of parts which are subject to normal wear and tear during the warranty period or parts that will require replacement in connection with normal maintenance. Such parts include but are not limited to glass, paint, rope seals, firebricks, grate parts, log retainers, baffles and ash pans.

**The Oak Stoves Extended Warranty does not cover:**

- a)** In normal usage the paint finish of your Oak Stove may change colour slightly. As these circumstances are considered normal, they are not covered by the warranty.
- b)** Enamelled components where these parts are subjected to abnormally high temperatures, chemical abrasion or thermal shocks, resulting in chipping, cracking, bubbling or discolouration and crazing of the enamelled finish.
- c)** Damage resulting from installation and usage where the appliance has not been installed or used in accordance with the Oak Stoves installation and operation instructions, or if the installation does not conform to local building, fire and safety regulations.
- d)** Defects or faults caused by specific local conditions such as draught problems, water damage, condensation and chimney defects.
- e)** The Extended Warranty does not cover damage caused by over-firing of the appliance. (Please see your Installation and Operating Instructions for further information)
- f)** Damage or premature wear caused by burning inappropriate fuels such as Bituminous coal, "Petro-Coke" or any other Petroleum based coals, only smokeless approved fuels must be used. Please visit the HETAS website, [www.hetas.co.uk](http://www.hetas.co.uk), for a full list of approved fuels which are covered by the warranty. Fuels outside of this list are not covered by the warranty.
- g)** Damage caused by burning material with high creosote content or any other painted/treated timber.
- h)** Damage caused by unauthorised modifications, use or repair.
- i)** Damage or defects caused by the product being stored in a damp, unheated environment.
- j)** Consequential loss (to the extent permitted by law) relating to other associated products that have not been supplied by Oak Stoves.
- k)** Consequential loss (to the extent permitted by law) related to decorations, furnishings or other household assets.
- l)** Delivery to/or return transport costs. Removal and re-installation costs or any labour cost to fit parts.

Repaired or replaced products are covered only for the remainder of the original warranty period. If you should ever wish to make a warranty claim because of a product fault or defect, you must inform your retailer within a reasonable amount of time, this is within 14 days from the date on which the fault or defect first became apparent. If the product fault or defect is notified after 14 days from the date on which the fault or defect became apparent, Oak Stoves cannot accept any liability for events or issues which arise after the 14 day period or which are caused or increased by the lack of notification which therefore prevented action being taken to restrict or eliminate any consequences arising from the fault or defect at an earlier date.

In the event of a product fault occurring during the warranty period, Oak Stoves will send the appropriate component or goods necessary to rectify the fault, free of charge. but does not cover any labour cost to fit them. Nothing in the Extended Warranty shall make Oak Stoves liable for any or special, incidental or consequential damages, injury to persons or property, or any other consequential loss beyond the consumer's statutory rights. The liability on these issues is covered by Oak Stoves Terms and Conditions of Sale.

Oak Stoves' total liability extends only to the purchase price paid for the goods by the Premium Retailer, except where such a limitation is prohibited by statute. Oak Stoves, in the event of a warranty claim, reserve the right to either replace the goods in question or to refund the purchase price of the goods as paid by the Premium Retailer.

The Oak Stoves Extended Warranty does not affect your statutory rights. The above warranty terms and conditions came into effect on 1st January 2013 and are applicable for all relevant products purchased after this date.

**Please note:** This warranty is applicable for purchases within the United Kingdom and the Republic of Ireland.

# DEFRA Requirements

## DEFRA Requirements – using this stove in Designated Smoke Control Areas

The Zeta 5Kw range are DEFRA exempt so they can be used to burn well seasoned wood in a smoke free zone (designated smoke control area).

The Zeta 5 range is also a multi-fuel stove so smoke fuel mineral fuels can also be burn on the stove in designated smoke free zone (designated smoke control area).

### The Clean Air Act 1993 and Smoke Control Areas

Under the Clean Air Act local authorities may declare the whole or part of the district of the authority to be a smoke control area. It is an offence to emit smoke from a chimney of a building, from a furnace or from any fixed boiler if located in a designated smoke control area. It is also an offence to acquire an “unauthorised fuel” for use within a smoke control area unless it is used in an “exempt” appliance (“exempted” from the controls which generally apply in the smoke control area).

The Secretary of State for Environment, Food and Rural Affairs has powers under the Act to authorise smokeless fuels or exempt appliances for use in smoke control areas in England. In Scotland and Wales this power rests with Ministers in the devolved administrations for those countries. Separate legislation, the Clean Air (Northern Ireland) Order 1981, applies in Northern Ireland.

Therefore it is a requirement that fuels burnt or obtained for use in smoke control areas have been “authorised” in Regulations and that appliances used to burn solid fuel in those areas (other than “authorised” fuels) have been exempted by an Order made and signed by the Secretary of State or Minister in the devolved administrations.

Further information on the requirements of the Clean Air Act can be found at:  
<http://smokecontrol.defra.gov.uk/>

Your local authority is responsible for implementing the Clean Air Act 1993 including designation and supervision of smoke control areas and you can contact them for details of Clean Air Act requirements

### Recommend Fuels for use in a Designated Smoke Control Areas

The Zeta 5 multi-fuel stove appliance has been recommended as suitable for use in smoke control areas when burning:

- Well seasoned woods with a moisture content less than 20%. (If you are unsure of the moisture content in the wood you can buy a moisture tester from you local stove retailer these on average cost less than £20)
- Smokeless Mineral Fuels. Such as ANCIT. When purchasing these products it will state on the packaging that it is suitable for use in a designated smoke control areas

Please refer to page 6 for more details.

### Refuelling on to a low fire bed

If there is insufficient burning material in the fire-bed to light a new fuel charge, excessive smoke emission can occur. Refuelling must be carried out onto a sufficient quantity of glowing embers and ash that the new fuel charge will ignite in a reasonable period. If there are too few embers in the fire bed, add suitable kindling to prevent excessive smoke

### Fuel overloading

The maximum amount of fuel specified in this manual should not be exceeded, overloading can cause excess smoke. Please refer to page 9.

Do Not Operate this appliance with door left open. Operation with the door open can cause excess smoke. The appliance must not be operated with the appliance door left open.

### Air controls (primary, secondary and tertiary air controls)

The air controls must be used in accordance with this manual as detailed on pages 8 to 11.

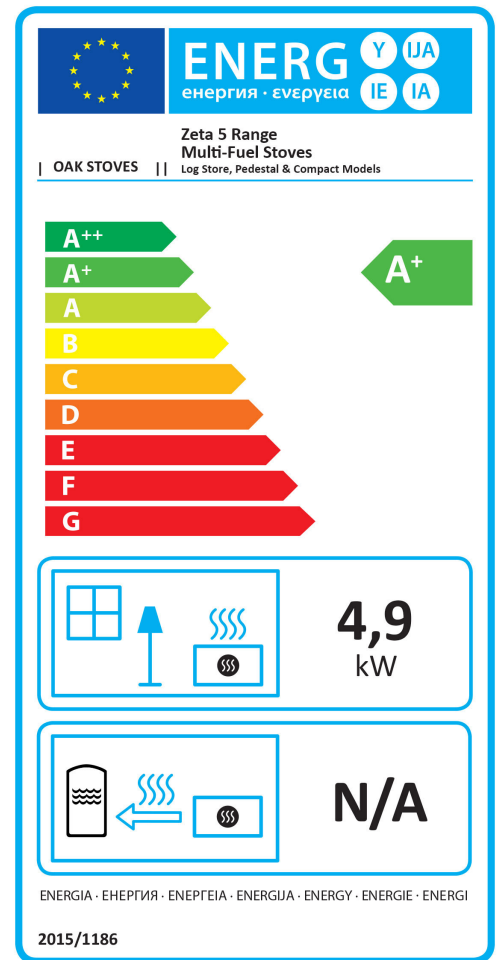
## What comes with your stove?

Manual	
Stove body with door and handle fitted	
Ash pan	
Ash pan handle	
Protective gloves	
Flue collar	
Fire grate retainer bars	
Riddle grate handle bar	

1	Supplier name or trademark	Oak Stoves
2	Model identifier	Zeta Log Store Clean Burn Stove
3	Energy class	A+
4	Direct heat output	4.9kW
5	Indirect heat output	N/A
6	Energy efficiency index	102.2%
7	Energy efficiency at nominal heat output	76.7%
8	Specific precautions	See Manual

1	Supplier name or trademark	Oak Stoves
2	Model identifier	Zeta Pedestal Clean Burn Stove
3	Energy class	A+
4	Direct heat output	4.9kW
5	Indirect heat output	N/A
6	Energy efficiency index	102.2%
7	Energy efficiency at nominal heat output	76.7%
8	Specific precautions	See Manual

1	Supplier name or trademark	Oak Stoves
2	Model identifier	Zeta Compact Clean Burn Stove
3	Energy class	A+
4	Direct heat output	4.9kW
5	Indirect heat output	N/A
6	Energy efficiency index	102.2%
7	Energy efficiency at nominal heat output	76.7%
8	Specific precautions	See Manual



OAK  
STOVES

Oak Stoves, Unit 11, Village Farm Industrial Estate, Village Farm Road, Pyle, Bridgend, CF33 6BL  
t: +44 (0)845 644 2815 e: sales@oakstoves.co.uk w: www.oakstoves.co.uk